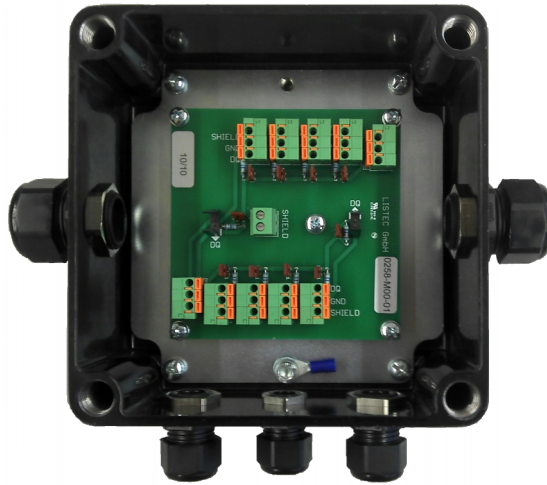


# Connection Box CBO 5-Ex



## Features

- ◆ ATEX marking for use in zones 2 and 22
- ◆ 3 connection variants for sensor cable and external sensors:
  - 1) Two sensor cable sections **SEC 15**
  - 2) One sensor cable section **SEC 15** and up to four external sensors **ESD**
  - 3) Up to eight external sensors **ESD**
- ◆ Hookup of up to two connection cables **CC 15**
- ◆ Mounting screw channels outside of sealed enclosure interior
- ◆ Tongue and groove cover seal with silicone O-Ring
- ◆ Metric polyamide Ex cable-glands with NBR O-Ring and TPE seal

## Specifications

- ◆ Type of protection zone 2: Ex II 3G Ex nA IIC T4 Gc
- ◆ Type of protection zone 22: Ex II 3D Ex tc IIIB T125 °C Dc
- ◆ Operating temperature: -20 °C...+60 °C
- ◆ Ingress protection: IP 65
- ◆ Dimensions: 232 x 192 x 101 mm (w x h x d, maximum including cable-glands)
- ◆ Case material: Glass-fibre reinforced polyester, black
- ◆ Surface resistance: <math>< 10^9 \Omega</math>
- ◆ Weight: 1,6 kg

## Ordering Information

- ◆ **Connection Box CBO 5-Ex**

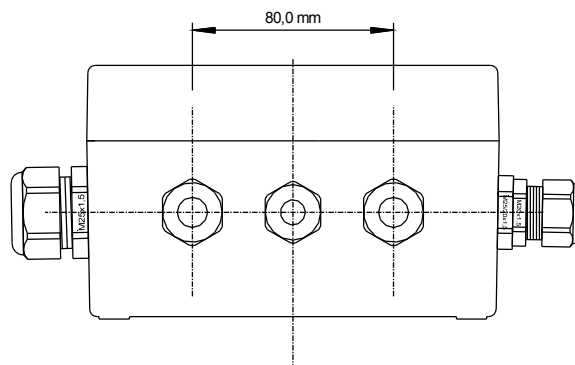
Art.-no.: **G00283**

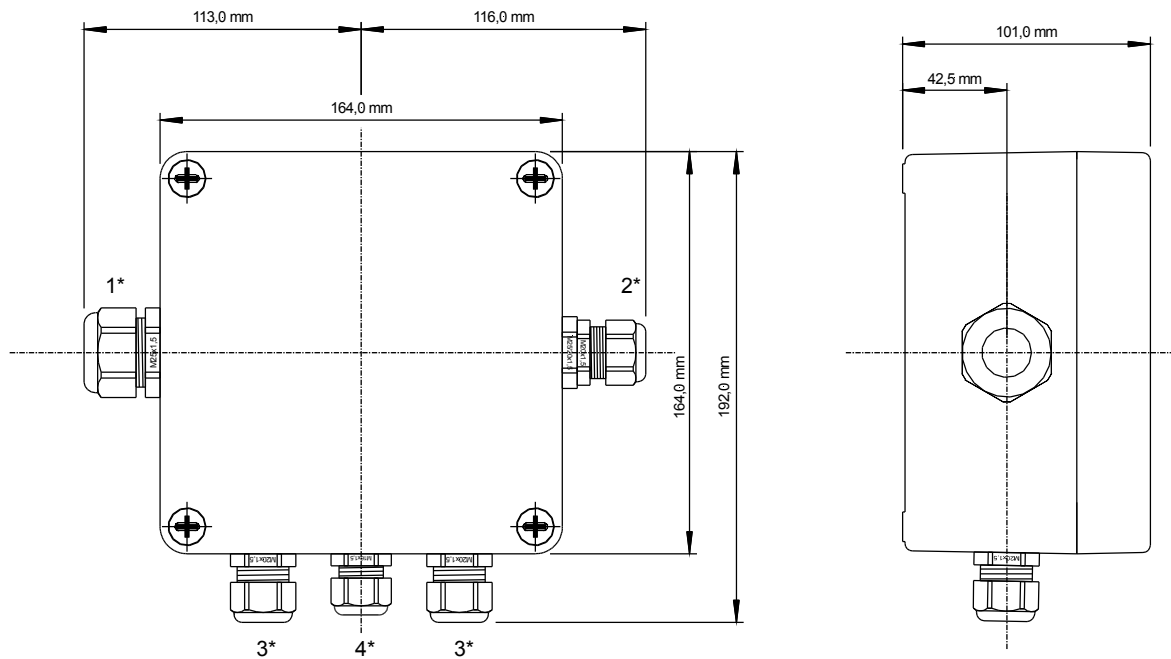
## Scope of Delivery

- ◆ **Connection Box CBO 5-Ex**, screw plugs in housing bores, cable-glands in plastic bag

## Dimensions

Drawing of connection variant 2)





- 1\* Cable-gland for sensor cable **SEC 15**
- 2\* Cable-gland for external sensors **ESD**
- 3\* Cable-gland for connection cable **CC 15**
- 4\* Cable-gland for potential equalisation connection

LISTEC GmbH  
Am Sandberg 34  
D - 84424 Isen  
Germany

Tel.: +49 (0) 8083 5385-0  
Fax.: +49 (0) 8083 5385-20  
e-mail: [info@listec-gmbh.de](mailto:info@listec-gmbh.de)  
[www.listec-gmbh.de](http://www.listec-gmbh.de)

A company of the Swiss Securitas Group

Subject to change without prior notice!