

Prefabrication SECcon



Features

- ◆ Easy installation and commissioning of sensor cable **SEC 15** and connection cable **CC 15** using connectors
- ◆ Installation of prefabricated sensor cable **SEC 15** without special tooling
- ◆ Connectors of prefabricated sensor cable **SEC 15** reinforced with shrink-on sleeves
- ◆ Connection cables can be fitted on-site without special tooling
- ◆ Reverse polarity protection via mechanically coded connectors
- ◆ Easy exchange of mechanically damaged components
- ◆ Standardisation for periodical infrastructures
- ◆ Cost reduction via standardised installation, commissioning, and checks
- ◆ Simplified maintenance
- ◆ **SECcon15-1** comprises sensor cable **SEC 15** prefabrication, including male connector with protection cap and end device
- ◆ **SECcon15-2** comprises sensor cable **SEC 15** prefabrication, including male and female connectors with protection caps
- ◆ Sensor cable lengths must be ordered separately according to customer specification

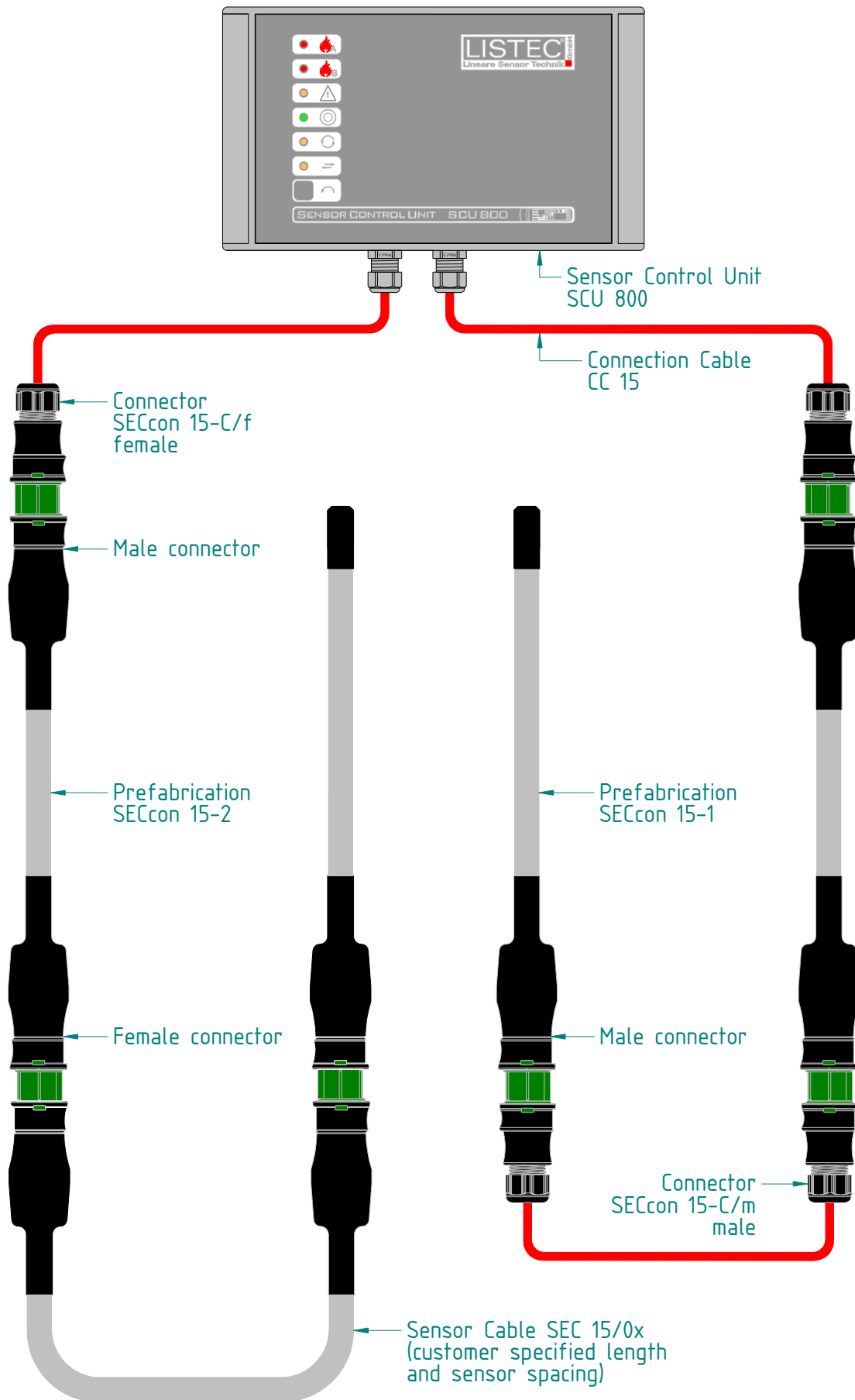
General Data Connector

- ◆ Case material: Polyamide, halogen-free
- ◆ Ingress protection: IP66
- ◆ Connection type: Spring terminal
- ◆ Number of terminals: 3
- ◆ Strain relief: Yes
- ◆ Latch mechanism: Yes
- ◆ Temperature range: -40 °C ... +100 °C
- ◆ Contact material: CuZn
- ◆ Seal: NBR

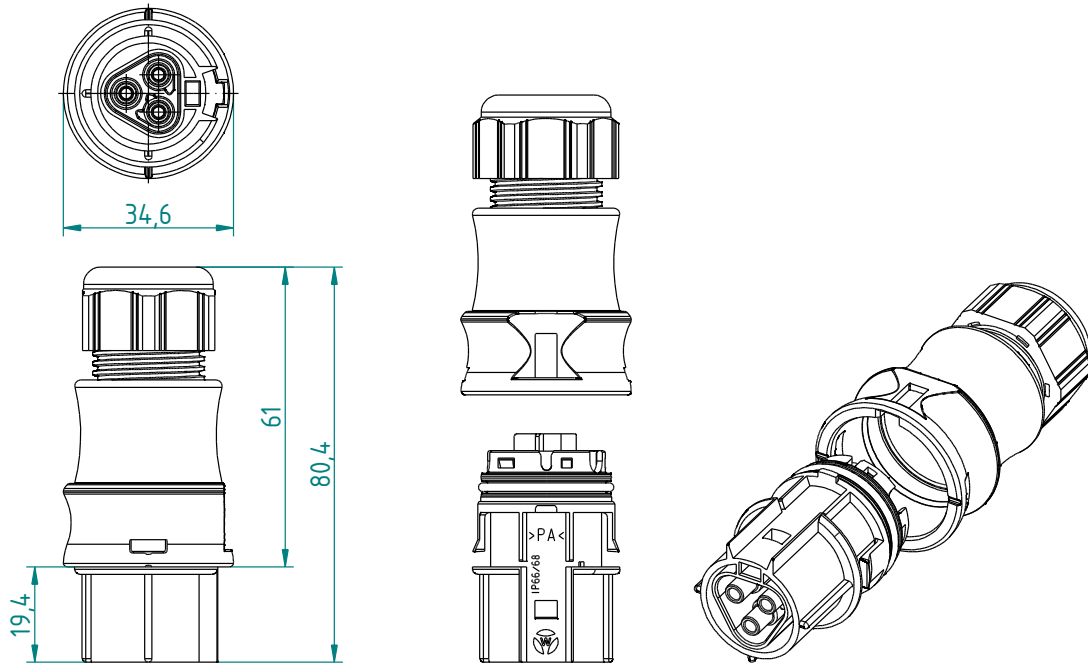
Ordering Information

- ◆ **Prefabrication SECcon 15-1** Art.-no.: **L00351**
Sensor cable **SEC 15** prefabrication with 3-pin male connector and end cap
- ◆ **Prefabrication SECcon 15-2** Art.-no.: **L00352**
Sensor cable **SEC 15** prefabrication with 3-pin male and female connector
- ◆ **Sensor Cable SEC 15/0x**
Sensor spacing, sheath material, and length according to customer specification, see data sheet 60V040 for article numbers
- ◆ **Connector SECcon 15-C/f** Art.-no.: **Z00403**
Female, 3-pin, to couple connection cable **CC 15** with prefabricated sensor cable **SECcon 15-1** or **SECcon 15-2**
- ◆ **Connector SECcon 15-C/m** Art.-no.: **Z00404**
Male, 3-pin, to couple connection cable **CC 15** with prefabricated sensor cable **SECcon 15-2**

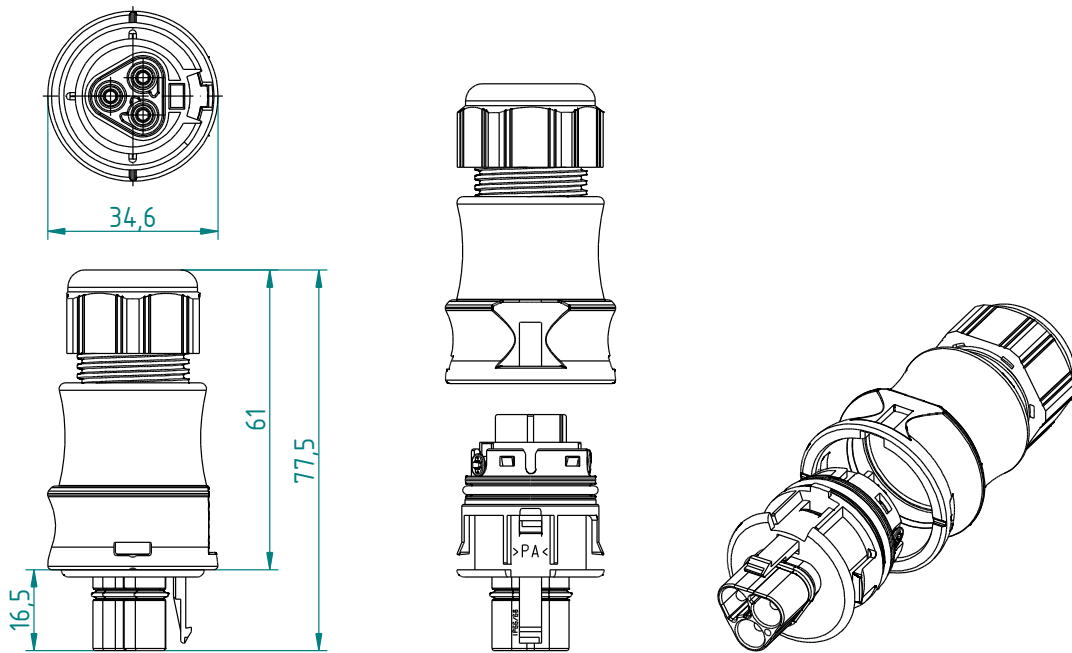
Application Example



Dimensions SECcon 15-C/f



Dimensions SECcon 15-C/m



LISTEC GmbH
Am Sandberg 34
D - 84424 Isen
Germany

Tel.: +49 (0) 8083 5385-0
Fax.: +49 (0) 8083 5385-20
e-mail: info@listec-gmbh.de
www.listec-gmbh.de

A company of the Swiss Securitas Group

Subject to change without prior notice!