

# SCU 800-03 (cat. D)



## Features

- ◆ Approved by DNV-GL, certificat-no.: 60 380 – 09 HH
- ◆ Evaluation of temperatures measured by sensor cables **SEC 15** and/or external sensors **ESD**
- ◆ Two sensor cable inputs **A** and **B**
- ◆ Alarm triggering via differential and maximum temperature evaluation
- ◆ Response characteristic according to *EN54-5*, class *A1*, approved by VdS Schadenverhütung, VdS no.: G 205143
- ◆ Intelligent evaluation algorithms prevent false alarms
- ◆ Highly durable via utilisation of maintenance-free components, **RoHS** compliant
- ◆ Alarm indication on unit front via **LEDs**
- ◆ Low power consumption
- ◆ Up to 64 programmable individual zones with alarm and fault status signalling to superordinate systems via protocol
- ◆ One common fault relay and one fire alarm relay each per sensor cable input
- ◆ Relay outputs configurable with loop resistors for closed-circuit monitoring
- ◆ Foamed silicone lid seal
- ◆ Metric polyamide cable-glands with NBR O-Ring and seal

## Front Panel Displays

- ◆ Fire alarm: **LED red** (1x per Sensor cable input **A** and **B**)
- ◆ Fault: **LED orange**
- ◆ Operation: **LED green**
- ◆ Measuring cycle: **LED orange**
- ◆ Data transmission: **LED orange**

## System Specifications

- ◆ Operating temperature: -25 °C ...+70 °C (0 °C ... +40 °C approved by VdS)
- ◆ Ingress protection: IP 65
- ◆ Measurement resolution: 0,1 °C
- ◆ Repeatability: ± 0,1 K
- ◆ Sensor quantity: Up to 99 sensors per sensor cable input
- ◆ Sensor cable length: Up to 250 m per sensor cable input including connection cable **CC 15**

## Connections and Interfaces

- ◆ K1 und K2: Sensor cable inputs
- ◆ 24 V DC: Power supply
- ◆ RS232: For unit parametrisation or connection to superordinate systems
- ◆ RS485: Data interface for LIST Master/Slave network, or connection to superordinate systems, or unit parametrisation
- ◆ Relay outputs: For fire alarms and common fault signalling
- ◆ Reset: Galvanically isolated external reset input

## Supported Software-Protocols

- ◆ MODBUS (RTU) via serial interface **RS232** or **RS485**

**General Data**

- ◆ Dimensions: 326,0 x 179,0 x 91,0 mm (w x h x d, maximum including cable-glands)
- ◆ Case material: Aluminium, powder coated in RAL 7040, grey
- ◆ Power supply: 21 V ... 29 V DC
- ◆ Relay outputs: Switching voltage: 48 V DC / 32 V AC max.  
Switching current: 250 mA max. (resistive load)
- ◆ Input: 1 x external reset (5 V DC)

**SCU 800-03**

- ◆ Weight: 1,95 kg, including cable-glands
- ◆ Current draw: 80 mA (normal operation) / 100 mA (alarm) at 24 V DC
- ◆ Power consumption: Max. 2,4 W
- ◆ Relays: 1 x fire alarm per sensor cable input, 1 x common fault

**Ordering Information**

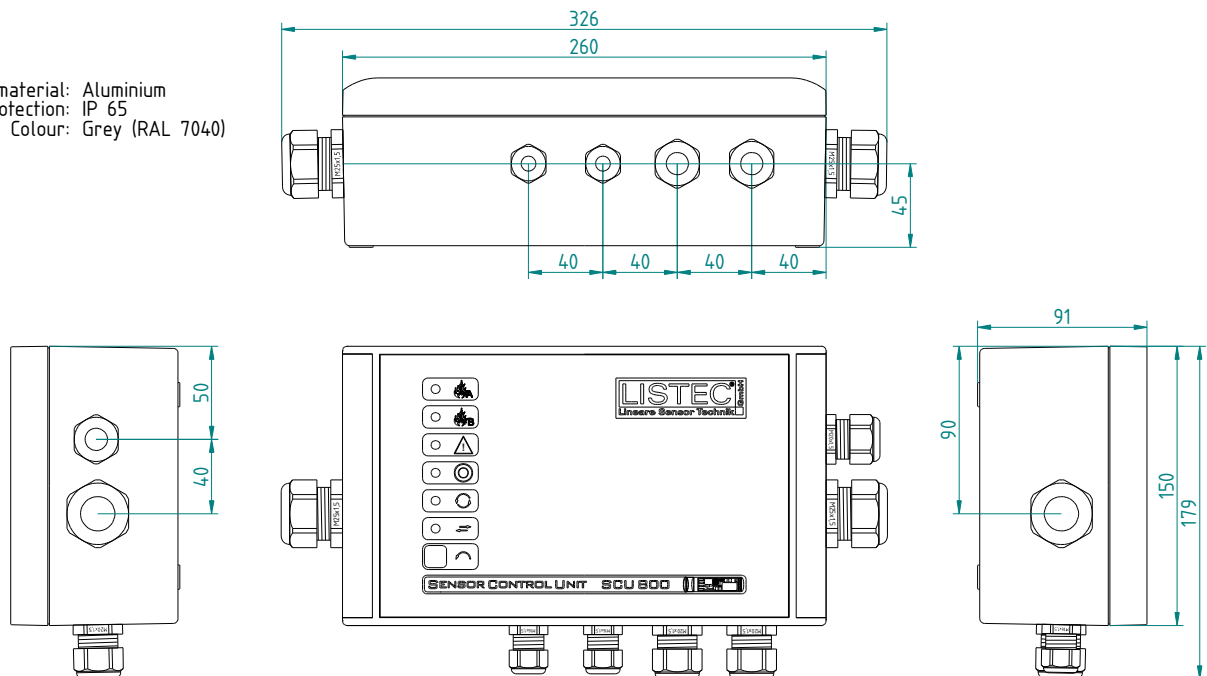
- ◆ **Sensor Control Unit SCU 800-03 (cat. D)** Art.-no.: **G00297**

**Scope of Delivery**

- ◆ **Sensor Control Unit SCU 800-03 (cat. D)**, including metric cable glands and connection materials, LISTmemory **USB** flash drive

**Dimensions**

Case material: Aluminium  
Ingress protection: IP 65  
Colour: Grey (RAL 7040)



LISTEC GmbH  
Am Sandberg 34  
D - 84424 Isen  
Germany

Tel.: +49 (0) 8083 5385-0  
Fax.: +49 (0) 8083 5385-20  
e-mail: [info@listec-gmbh.de](mailto:info@listec-gmbh.de)  
[www.listec-gmbh.de](http://www.listec-gmbh.de)

A company of the Swiss Securitas Group

Subject to change without prior notice!